



# NATURALLY STRONG

RESIDENTIAL AND INDUSTRIAL BURNERS



**B**max  
technology  
GREEN HEATING SOLUTIONS

  
made in italy

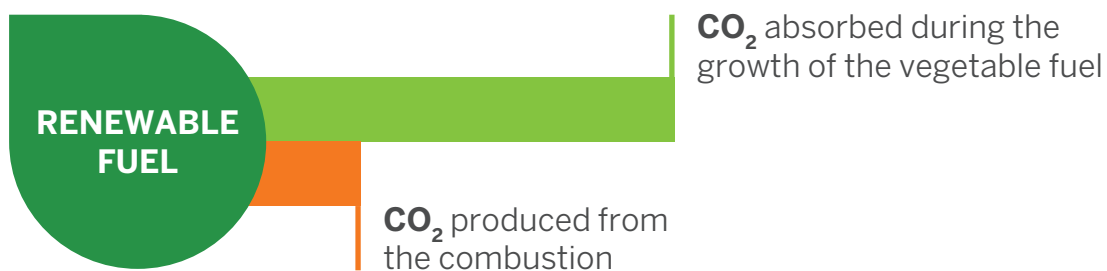






**Biomass:**  
a sustainable  
choice

## ECOLOGICAL



## CARBON NEUTRALITY

The choice to invest in renewable energy from biomass is the result of a number of considerations:

### Reduced environmental impact

Using biomass for energy production purposes can play a strategic role by supporting a sustainable and balanced development of our planet - the heat produced does not have a carbon footprint since the amount of carbon dioxide released in the biomass energy conversion process is offset by the carbon sequestered during the biomass growth process.

### Savings

Biomass heating is convenient and extremely good value, with significant savings over fossil fuels.

### Financial and employment implications

Widespread use can lead to a significant, positive financial, environmental and employment impact through the promotion of forest maintenance, the use of forest maintenance waste to produce energy, and the creation of new development opportunities for marginal areas and the reduction of farming surpluses, by replacing traditional crops with dedicated “energy crops” whose green waste by products can be used for energy production purposes.



**Company  
profile**



## Elmec Group

**Elmec** was established in 1989 as a company active in the field of industrial assembly and foil metalworking.

The constant implementation of new technologies has made of the company a leading lightweight metalwork specialist.

With the help of technologically advanced machinery, we follow every step of the machining process with the utmost care and attention.

The primary goal of the company is to achieve customer satisfaction through precision, flexibility and continuous upgrading of our production processes.

## Bmax Technology

An Elmec Group division, it specialises in the production of pellet and biomass burners for domestic and industrial heating and many other applications.

**B-max Technology's** product designing and production is carried out entirely in Italy.

Ownership and supervision of the entire production process, together with the specific expertise acquired during the Group's 25 years of activity, ensure processes and products up to uncompromising quality standards as well as unrivalled cost/effectiveness.





**Burners**  
B-Max





## Burner

**B-Max Technology biomass burners** are designed to meet **different use** requirements. The wide range of power values from **25 kW to 500 kW** allows both **domestic** and **industrial** heating requirements to be met.

### Reliability

Tested and certified products containing compact and high temperature resistant materials.

The high quality standards applied to the materials and to the production process guarantee excellent product performance and durability.

### Versatility

A careful study of the functionality aspects of B-Max Technology biomass burners, combined with their correct pre-setting, allows these devices to be installed in most existing boilers.

### Savings

Biomass use allows substantial economic savings over the use of traditional fossil fuel.



RESIDENTIAL  
AND SEMI-  
INDUSTRIAL  
**SERIES**

## **Medium-power burners, designed for installation in residential and small-sized industrial environments.**

### **Exclusive features**

- fully automatic
- high quality materials including high temperature resistant steel
- quick ignition
- low consumption
- safety thermostats
- intuitive and user-friendly control panel
- EN15270 European certification

### **Suitable fuels**

Sawdust wood pellets, 6 to 8 mm. Self-modulating burners with five power levels to ensure high efficiency. Instantaneous temperature adjustment.

### **Cleaning systems**

Bmax Technology burners feature an innovative system to carry out self-cleaning at regular intervals; this system periodically cleans any residues off the fuel grid, preventing the possible risks of poor combustion or flame choking, with subsequent burner power-off and fume dispersion.

### **Loading**

B-Max Technology burners come complete with a loading system.

### **Accessories**

Tanks, pneumatic self-cleaning system, anti-backfire valve, remote control module.

RESIDENTIAL  
AND SEMI-  
INDUSTRIAL  
**SERIES**



## **B-Home**

---

**Power: 30 kWh**

Domestic power burner. Ideal for heating residential buildings. Supplied with feeding screw.

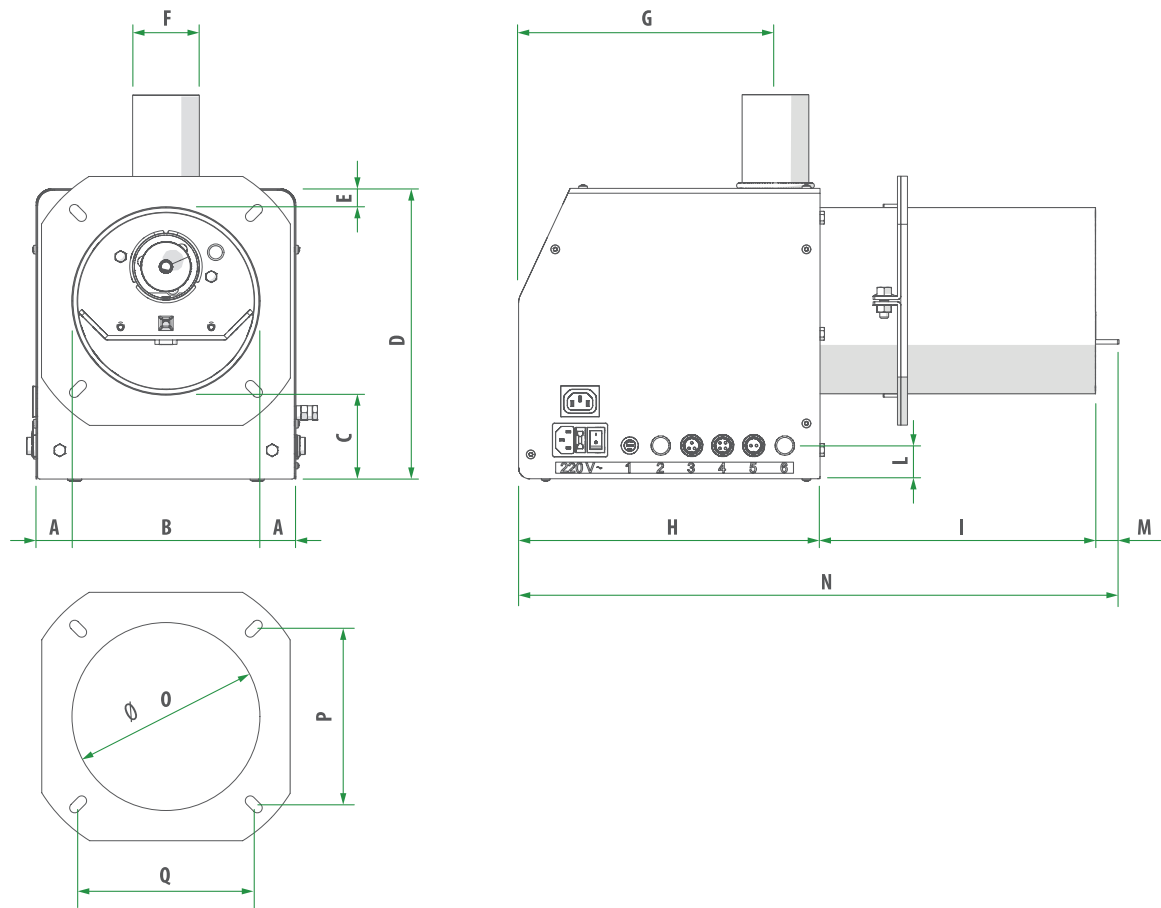
## **Essential**

---

**Power: 50 kWh**

Domestic power burner. Ideal for heating small- and medium-sized residential buildings. Supplied with feeding screw.

Model			B-Home	Essential
Thermal capacity	Max	kW	34	55
	Min	kW	5	5
Consumption	Max	Kg/h	7	11
	Min	Kg/h	1	1
Power supply		V/HZ	230/50	230/50
Average consumption		W	60	60
Start-up		W	170	170
Noise level		dB	35	40
Weight		Kg	14	15



Model	A mm	B mm	C mm	D mm	E mm	F mm	G mm	H mm	I mm	L mm	M mm	N mm	O mm	P mm	Q mm
B-Home	47,5	140	101	263	22	60	232	272,5	249	30	21	543	142	135	135
Essential	33,5	168,5	77	263	17,5	60	232	272,5	249	30	21	543	172	159	159

RESIDENTIAL  
AND SEMI-  
INDUSTRIAL  
**SERIES**



### **B-70**

**Power: 70 kWh**

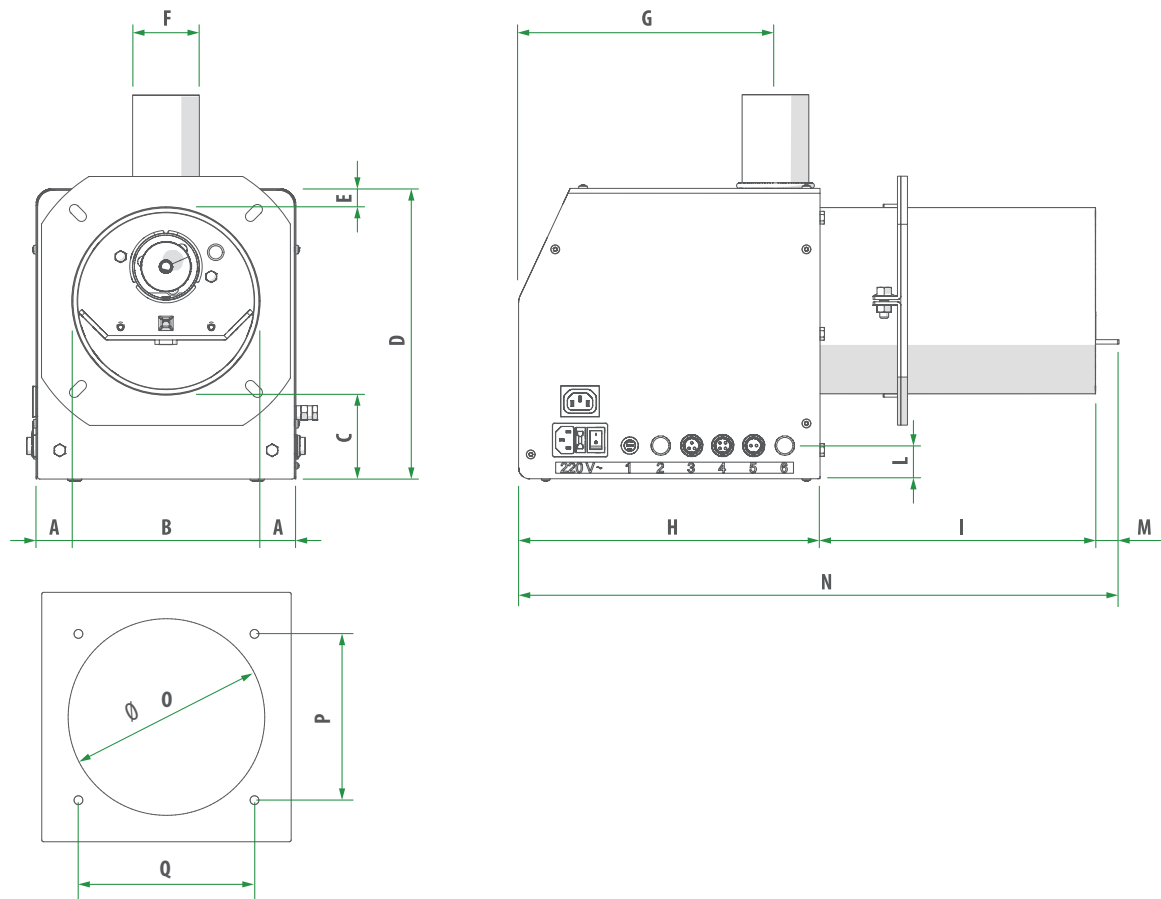
Medium power burner, suitable for both large-sized civil environments and small-sized industrial environments. Supplied with feeding screw.

### **B-90**

**Power: 90 kWh**

Medium power burner, suitable for both large-sized civil environments and small-sized industrial environments. Supplied with feeding screw.

Model			B-70	B-90
Thermal capacity	Max	kW	70	90
	Min	kW	10	10
Consumption	Max	Kg/h	14	18
	Min	Kg/h	2	2
Power supply		V/HZ	230/50	230/50
Average consumption		W	60	60
Start-up		W	170	170
Noise level		dB	40	40
Weight		Kg	19	24



Model	A mm	B Ø mm	C mm	D mm	E mm	F Ø mm	G mm	H mm	I mm	L mm	M mm	N mm	O Ø mm	P mm	Q mm
B-70	30,7	193,7	78	290	18,7	60	260	300	250	27	21	571	201	170	180
B-90	30,7	193,7	78	290	18,7	60	232	300	300	27	21	621	201	170	180



INDUSTRIAL  
**SERIES**



**High-power, highly versatile burners, ideal for medium-sized industrial environments, boilers, hot air generators and baking ovens. Equipped with pull-out display unit.**

### **Exclusive features**

- fully automatic
- high quality materials including high temperature resistant steel
- quick ignition
- low consumption
- safety thermostats
- intuitive and user-friendly control panel
- certified according to current regulations

### **Suitable fuels**

Sawdust wood pellets, 6 to 8 mm. Self-modulating burners with five power levels to ensure high efficiency. Instantaneous temperature adjustment.

### **Cleaning systems**

Bmax Technology burners feature an innovative system to carry out self-cleaning at regular intervals; this system periodically cleans any residues off the fuel grid, preventing the possible risks of poor combustion or flame choking, with subsequent burner power-off and fume dispersion.

### **Loading**

B-Max Technology burners come complete with a loading system.

### **Accessories**

Tanks, pneumatic self-cleaning system, anti-backfire valve, remote control module.

## INDUSTRIAL SERIES



### **B-One**

**Power: 100 kWh**

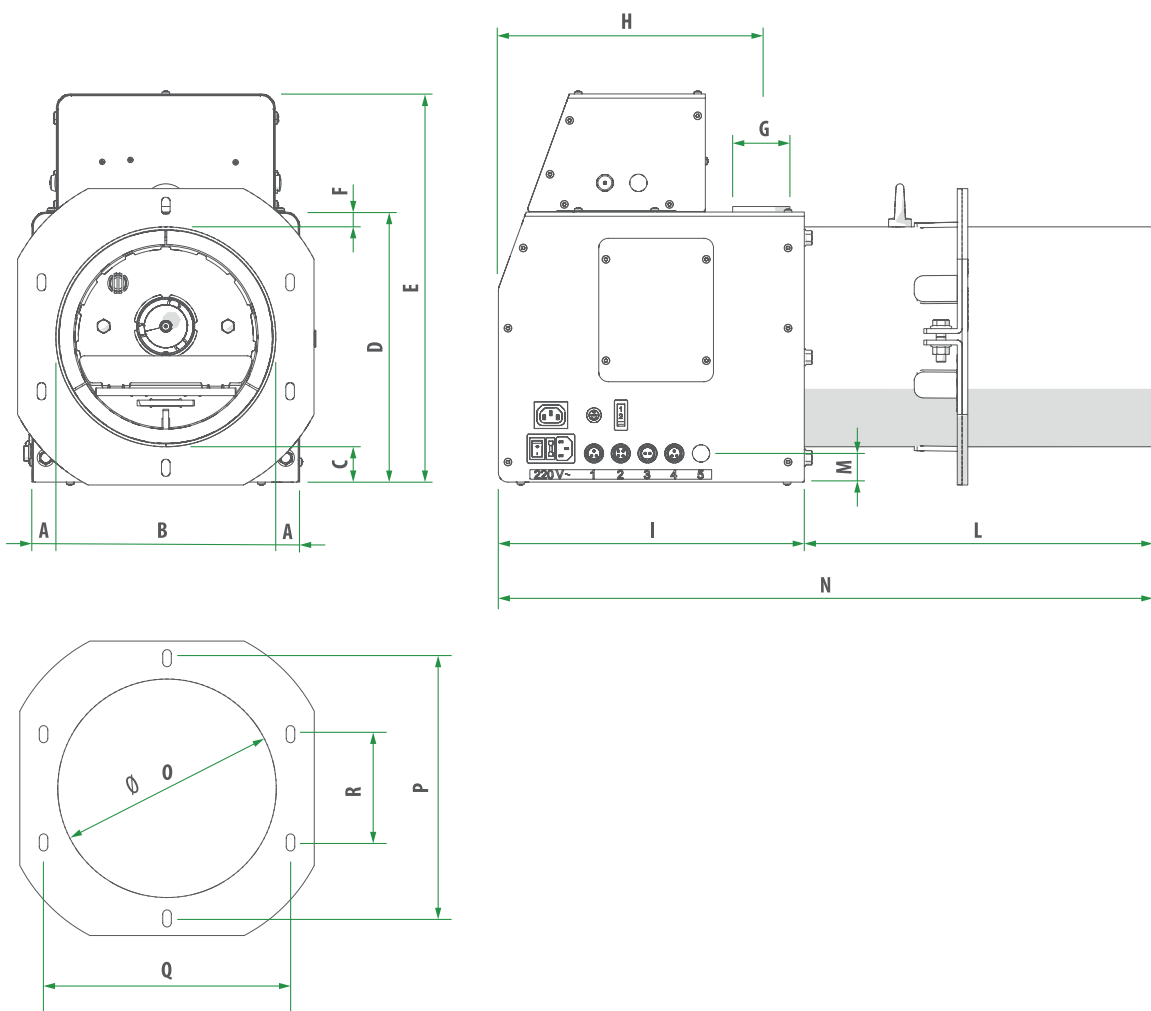
High-power, highly versatile burner, ideal for medium-sized industrial environments, boilers, hot air generators and baking ovens. Equipped with pull-out display unit. Supplied with feeding screw.

### **B-Two**

**Power: 200 kWh**

High-power, highly versatile burner, ideal for medium-sized industrial environments, boilers, hot air generators and baking ovens. Equipped with pull-out display unit. Supplied with feeding screw.

Model			B-One	B-Two
Thermal capacity	Max	kW	130	240
	Min	kW	15	25
Consumption	Max	Kg/h	26	48
	Min	Kg/h	3	5
Power supply		V/HZ	230/50	230/50
Average consumption		W	60	75
Start-up		W	170	170
Noise level		dB	40	40
Weight		Kg	31	45



Model	A mm	B Ø mm	C mm	D mm	E mm	F Ø mm	G mm	H mm	I mm	L mm	M mm	N mm	O Ø mm	P mm	Q mm	R mm
B-ONE	25	230	37	282	406	15,5	60	275	320	365	30	685	235	274	260	114
B-TWO	22,5	305	35,5	352	476	12,5	60	335	380	480	30	860	310	360	340	160

## INDUSTRIAL SERIES



### **B-Three**

---

**Power: 300 kWh**

High power, high-performance burner with pull-out control system. A smart solution for the conversion of wood-burning or diesel-fired boilers, steam generators or dryers. Supplied with feeding screw.

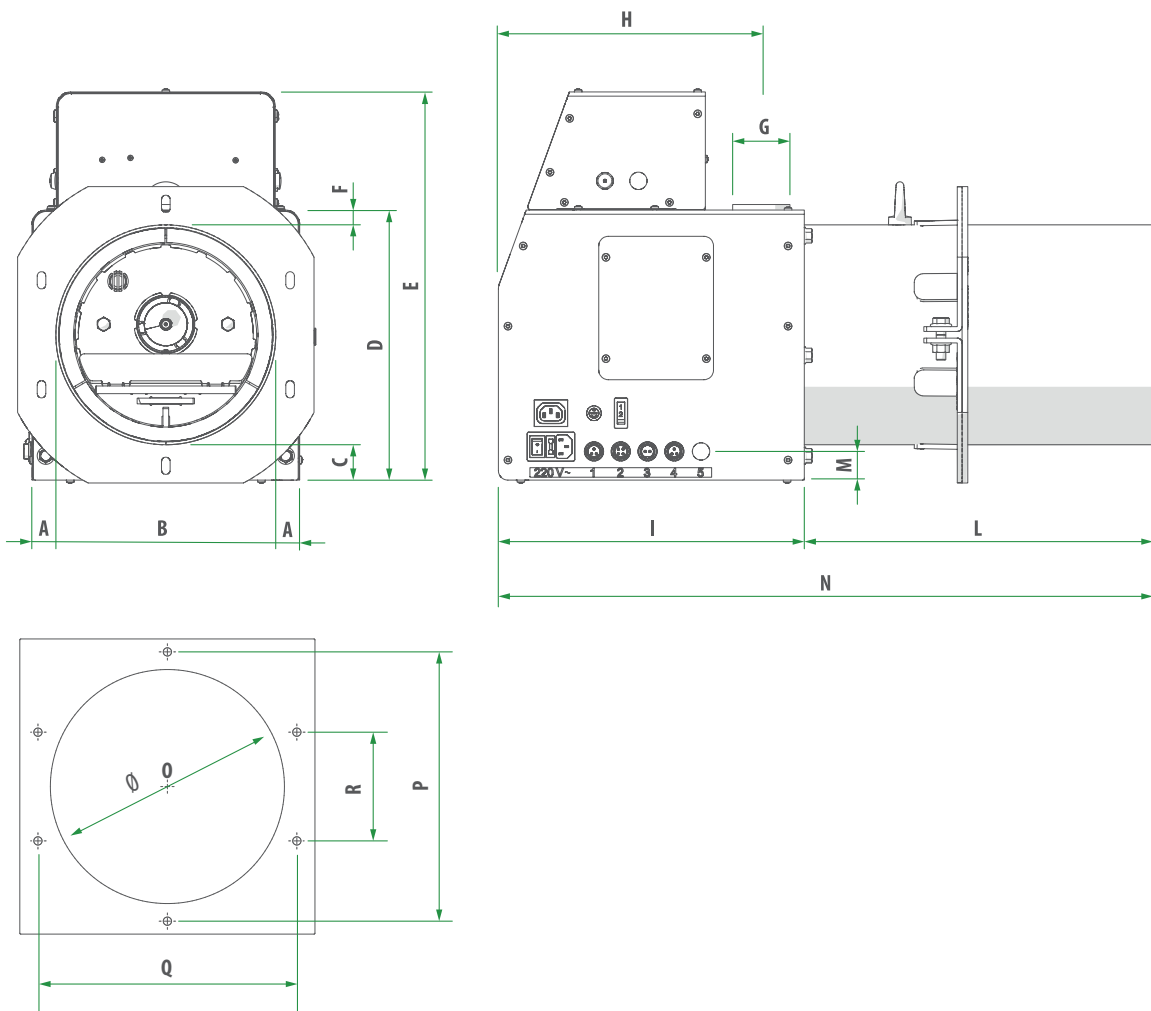
### **B-Five**

---

**Power: 500 kWh**

High power, high-performance burner with pull-out control system. A smart solution for the conversion of wood-burning or diesel-fired boilers, steam generators or dryers. Supplied with feeding screw.

Model			B-Three	B-Five
Thermal capacity	Max	kW	350	560
	Min	kW	35	55
Consumption	Max	Kg/h	70	112
	Min	Kg/h	7	11
Power supply		V/HZ	230/50	230/50
Average consumption		W	150	350
Start-up		W	170	170
Noise level		dB	60	60
Weight		Kg	140	220

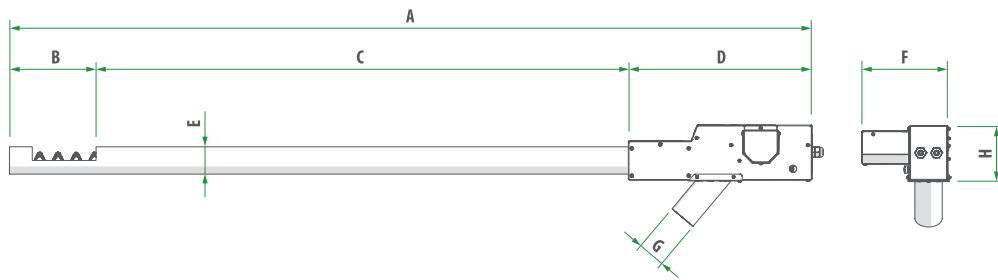


Model	A mm	B mm	C mm	D mm	E mm	F mm	G mm	H mm	I mm	L mm	M mm	N mm	O mm	P mm	Q mm	R mm
<b>B-THREE</b>	39	375	102	504	650	26,5	80	500	585	725	30	1310	382	450	420	190
<b>B-FIVE</b>	54	445	106	581,5	728	31,5	80	523	612	863	30	1475	452	520	500	210

## LOADING SYSTEMS

Each burner is supplied with a feeding screw that is located in the pellet tank.

The screw feeder is equipped with a gear motor that controls pellet proportioning and is connected to the burner via a self-extinguishing hose.



Models	A mm	B mm	C mm	D mm	E Ø mm	F mm	G Ø mm	H mm	Weight Kg
<b>B-Home   Essential B-70   B-90</b>	1760	190	1168	402	60	190	60	120	9
<b>B-One   B-Two</b>	1803	140	1200	461,5	80	140	60	215	18
<b>B-Three</b>	2338	140	1735	463	80	170	80	245	19
<b>B-Five</b>	2485	180	1778	527	100	165	80	305	28

## ACCESSORIES

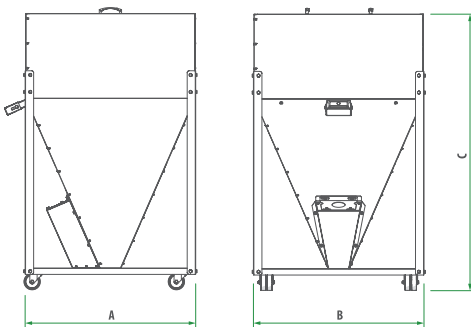
### TANK

Made of galvanised sheet steel, the tank must be positioned alongside the heat unit to always ensure the correct screw feeder inclination to allow for pellet feeding to the burner.

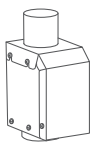
Available in two versions of different capacity.

The tank is easy to assemble thanks to its panel structure that reduces footprint during transport.

Suitable for pellet-burning boilers with any power rating.

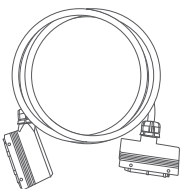


Description	Capacity Kg	A mm	B mm	C mm	Weight Kg
Pellet tank	150	780	500	1125	40
Pellet tank	300	800	800	1300	57



### SAFETY VALVE

Metal valve for backfire protection. By safely discontinuing the connection between the burner and the pellet tank, it provides 100% protection against backfiring.



### ELECTRONIC CONTROL PANEL EXTENSION CABLE

Accessory designed for industrial line burners. The cable extends panel control up to a length of 3 metres.



### REMOTE CONTROL

A device that allows user functions that are usually controlled via the display to be remotely controlled.



## **Bmax Technology,**

an Elmec Group Division

Via dell'Industria, 1 - Loc. Ca' d'Oro - 36020 Asigliano Veneto (VI)

Tel. +39 0444 772023 - Fax +39 0444 773129

info@b-max.com • [www.b-max.com](http://www.b-max.com)

  
made in italy

